



Parts List

1010 Shaw Road, Stockton, CA 95215 • (209) 547-1965 • FAX (209) 464-8140

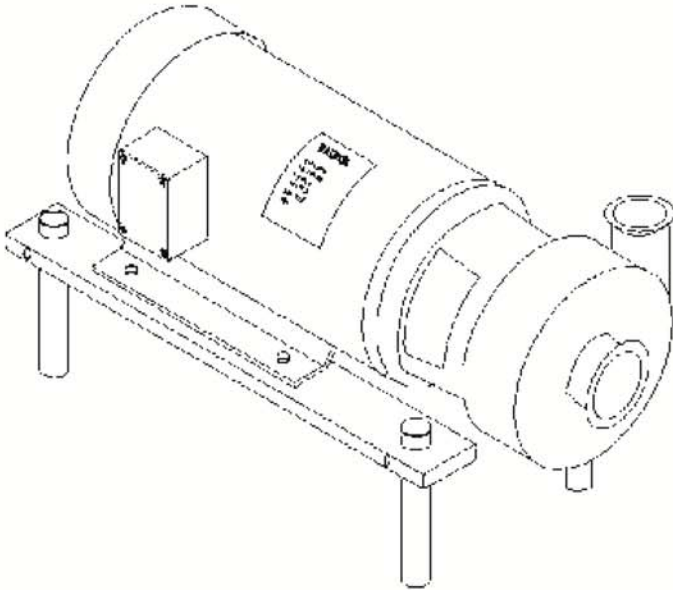
Out of the box thinking for better performance.

A Proven Quality Stainless Steel Sanitary Pump



Sanitary Centrifugal Pumps

See us at
www.zmtech.com



FEATURES

- Type 304 SS construction
- Adjustable height
- Adjusts to uneven floor conditions
- Available for 56 through 256 frames

FITS FRAMES	PART NO.
56-143-145	8956-47
182-184	8957-47
213-215	8958-47
254-256	8959-47





CENTRIFUGAL PUMPS MODEL NO. 4

PART NO.	DESCRIPTION
9046-67	Head -1 1/2" in x 1 1/2" out (clamp)
9056-67	Head -1 1/2" in x 1 1/2" out (acme)
9047-67	Head - 2" in x 1 1/2" out (clamp)
9057-67	Head - 2" in x 1 1/2" out (acme)
9068-67	Head -1 1/2" in x 1" out (weld)
9073-67	Head -1 1/2" x 1 1/2" out NPT (male)
9230-67	Back plate - (internal seal)
9229-67	Back plate - (external seal with ceramic)
3179-80	Head "O" ring gasket buna (standard)
3179-VO	Head "O" ring gasket viton
3179-E0	Head "O" ring gasket EPDM
3179-50	Head "O" ring gasket silicone
9530-67	Drive shaft - 5/8" bore
9531-67	Drive shaft - 7/8" bore
9395-67	Impeller - 3 7/8" diameter
9396-67	Impeller - 3 5/8" diameter
9397-67	Impeller - 3 3/8" diameter
9400-67	Impeller - 3 1/8" diameter
9345-60	Impeller clip
9340-40	Set screw
9335-T0	Rotary seal (teflon)
9343-40	Carbon seal assembly, T-21 (buna)
9343-VO	Carbon seal assembly, T-21 (viton)
9354-80	Carbon seal bellows (buna)
9354-VO	Carbon seal bellows (viton)
9353-K0	Carbon ring for T-21
9500-BC	Ceramic wear ring (buna cushion)
9500-VC	Ceramic wear ring (viton cushion)
3139-80	Rotary seal "O" ring buna (standard)
3139-VO	Rotary seal "O" ring (viton)
3139-E0	Rotary seal "O" ring (EPDM)
3139-50	Rotary seal "O" ring (silicone)
9305-68	Rotary seal spring
9310-48	Head clamp 5"
9327-40	Clamp T-handle
9328-40	Clamp T-bolt
9250-04	Adapter (56, 143 & 145 frame)
9350-40	Adapter mounting bolt 3/8"-16 UNC



See us at
www.zmtech.com

CENTRIFUGAL PUMPS

MODEL NO. 4

MODEL #4 PUMP KITS	
PART NO.	DESCRIPTION
9355-80	#4 Seal kit
9355-V0	#4 Seal kit- Viton
9222-80	#4 External seal kit
9222-V0	#4 External seal kit- Viton

#4 INTERNAL SEAL KIT INCLUDES		
PART NO.	DESCRIPTION	QUANTITY
9335-T0	Teflon seal	1
3139-80/V0/E0/S0	"O" rings	3
9305-68	Spring	1
3179-80/V0/E0/S0	Head "O" ring	1
9345-60	Impeller clips	2

#4 EXTERNAL SEAL KIT INCLUDES		
PART NO.	DESCRIPTION	QUANTITY
3179-80/V0/E0/S0	Head "O" ring	1
9343-40	Carbon seal assembly, T-21 1"	1
9345-60	Impeller clips	2



See us at
www.zmtech.com



CENTRIFUGAL PUMPS MODEL NO. 5

PART NO.	DESCRIPTION
9093-67	Head - 1 1/2" in x 1 1/2" out (clamp)
9103-67	Head - 1 1/2" in x 1 1/2" out (acme)
9094-67	Head - 2" in x 1 1/2" out (clamp)
9104-67	Head - 2" in x 1 1/2" out (acme)
9113-67	Head - 1 1/2" in x 1 1/2" out NPT (male)
9235-67	Back plate - (internal seal)
9234-67	Back plate - (external seal with ceramic)
9236-67	Back plate - (external seal)
3184-B0	Head "O" ring gasket buna (standard)
3184-VO	Head "O" ring gasket viton
3184-E0	Head "O" ring gasket EPDM
3184-S0	Head "O" ring gasket silicone
9530-67	Drive shaft - 5/8" bore
9531-67	Drive shaft - 7/8" bore
9366-67	Drive shaft - 1 1/8" bore (old design)
9373-67	Drive shaft - 1 1/8" bore (internal)
9532-67	Drive shaft - 1 1/8" bore (external ceramic)
9374-67	Drive shaft - 1 3/8" bore (internal)
9533-67	Drive shaft - 1 3/8" bore (external ceramic)
9405-67	Impeller - 4 7/8" diameter
9406-67	Impeller - 4 5/8" diameter
9407-67	Impeller - 4 3/8" diameter
9408-67	Impeller - 4 1/8" diameter
9345-60	Impeller clip
9340-40	Set screw
9335-T0	Rotary seal (teflon)
9343-40	Carbon seal assembly, T-21 (buna)
9343-VO	Carbon seal assembly, T-21 (viton)
9354-B0	Carbon seal bellows (buna)
9354-VO	Carbon seal bellows (viton)
9353-K0	Carbon ring for T-21
9500-BC	Ceramic wear ring (buna cushion)
9500-VC	Ceramic wear ring (viton cushion)
3139-B0	Rotary seal "O" ring buna (standard)
3139-VO	Rotary seal "O" ring (viton)
3139-E0	Rotary seal "O" ring (EPDM)
3139-S0	Rotary seal "O" ring (silicone)
9305-68	Rotary seal spring



See us at
www.zmtech.com

CENTRIFUGAL PUMPS



MODEL NO. 5

PART NO.	DESCRIPTION
9311-48	Head clamp 6"
9327-40	Clamp T-handle
9328-40	Clamp T-bolt
9255-04	Adapter (56, 143 & 145 frame)
9259-04	Adapter (182, 184, 213 & 215 frame)
9350-40	Adapter mounting bolt 3/8"-16 UNC
9351-40	Adapter mounting bolt 1/2"-13 UNC

MODEL #5 PUMP KITS	
PART NO.	DESCRIPTION
9356-B0	#5 Seal kit
9356-V0	#5 Seal kit
9223-B0	#5 External seal kit
9223-V0	#5 External seal kit
9218-B0	#5 Water seal kit
9218-V0	#5 Water seal kit

#5 INTERNAL SEAL KIT INCLUDES		
PART NO.	DESCRIPTION	QUANTITY
9335-T0	Teflon seal	1
3139-B0/V0/E0/S0	"O" rings	3
9305-68	Spring	1
3184-B0/V0/E0/S0	Head "O" ring	1
9345-60	Impeller clips	2

#5 EXTERNAL SEAL KIT INCLUDES		
PART NO.	DESCRIPTION	QUANTITY
3184-B0/V0/E0/S0	Head "O" ring	1
9343-40	Carbon seal assembly, T-21 1"	1
9345-60	Impeller clip	2

#5 WATER SEAL KIT INCLUDES		
PART NO.	DESCRIPTION	QUANTITY
9335-T0	Pump shaft seal	2
3139-B0/V0/E0/S0	"O" rings	2
9305-68	Spring	1
9345-60	Impeller clips	2
3184-B0/V0/E0/S0	Head "O" ring	1
3173-B0/V0/E0	Water jacket "O" ring	1





CENTRIFUGAL PUMPS MODEL NO. 6

PART NO.	DESCRIPTION
9143-67	Head - 2" in x 1 1/2" out (clamp)
9153-67	Head - 2" in x 1 1/2" out (acme)
9144-67	Head - 2" in x 2" out (clamp)
9154-67	Head - 2" in x 2" out (acme)
9146-67	Head - 2 1/2" in x 1 1/2" in out (clamp)
9145-67	Head - 2 1/2" in x 2" out (clamp)
9164-67	Head - 2" in x 1 1/2" out NPT (male)
9169-67	Head - 2" in x 1 1/2" out NPT (female)
9240-67	Back plate - (internal seal)
9242-67	Back plate - (external seal with ceramic)
9241-67	Back plate - (external seal)
3182-80	Head "O" ring gasket buna (standard)
3182-V0	Head "O" ring gasket viton
3182-E0	Head "O" ring gasket EPDM
3182-S0	Head "O" ring gasket silicone
9530-67	Drive shaft - 5/8" bore
9531-67	Drive shaft - 7/8" bore
9366-67	Drive shaft - 1 1/8" bore (old design)
9373-67	Drive shaft - 1 1/8" bore (internal)
9532-67	Drive shaft - 1 1/8" bore (external ceramic)
9374-67	Drive shaft - 1 3/8" bore (internal)
9533-67	Drive shaft - 1 3/8" bore (external ceramic)
9368-67	Drive shaft - 1 5/8" bore (old design)
9415-67	Impeller - 5 7/8" diameter
9416-67	Impeller - 5 5/8" diameter
9417-67	Impeller - 5 3/8" diameter
9419-67	Impeller - 5 1/8" diameter
9420-67	Impeller - 4 7/8" diameter
9345-60	Impeller clip
9340-40	Set screw
9335-T0	Rotary seal (teflon)
9343-40	Carbon seal assembly, T-21 (buna)
9343-V0	Carbon seal assembly, T-21 (viton)
9354-80	Carbon seal bellows (buna)
9354-V0	Carbon seal bellows (viton)
9353-K0	Carbon ring for T-21
9500-BC	Ceramic wear ring (buna cushion)
9500-VC	Ceramic wear ring (viton cushion)
3139-80	Rotary seal "O" ring buna (standard)
3139-V0	Rotary seal "O" ring (viton)
3139-E0	Rotary seal "O" ring (EPDM)
3139-S0	Rotary seal "O" ring (silicone)



See us at
www.zmtech.com

**CENTRIFUGAL
PUMPS
MODEL NO. 6**



PART NO.	DESCRIPTION
9305-68	Rotary seal spring
9312-48	Head clamp 7"
9327-40	Clamp T-handle
9328-40	Clamp T-bolt
9265-04	Adapter (182, 184, 213 & 215 frame)
9266-04	Adapter (56, 143 & 145 frame)
9272-04	Adapter (284 & 286)
9350-40	Adapter mounting bolt 3/8"-16 UNC
9351-40	Adapter mounting bolt 1/2"-13 UNC

MODEL #6 PUMP KITS	
PART NO.	DESCRIPTION
9357-B0	#6 Seal kit
9357-V0	#6 Seal kit
9224-B0	#6 External seal kit
9224-V0	#6 External seal kit
9219-B0	#6 Water seal kit
9219-V0	#6 Water seal kit

#6 INTERNAL SEAL KIT INCLUDES		
PART NO.	DESCRIPTION	QUANTITY
9335-T0	Teflon seal	1
3139-B0/V0/E0/S0	"O" rings	3
9305-68	Spring	1
3182-B0/V0/E0/S0	Head "O" ring	1
9345-60	Impeller clips	2

#6 EXTERNAL SEAL KIT INCLUDES		
PART NO.	DESCRIPTION	QUANTITY
3182-B0/V0/E0/S0	Head "O" ring	1
9343-40	Carbon seal assembly, T-21 1"	1
9345-60	Impeller clip	2

#6 WATER SEAL KIT INCLUDES		
PART NO.	DESCRIPTION	QUANTITY
9335-T0	Pump shaft seal	2
3139-B0/V0/E0/S0	"O" ring	3
9305-68	Spring	1
9345-60	Impeller clips	2
3182-B0/V0/E0/S0	Head "O" ring	1
3173-B0/V0/E0	Water jacket "O" ring	1





CENTRIFUGAL PUMPS MODEL NO. 8

PART NO.	DESCRIPTION
9190-67	Head - 2" in x 2" out (clamp)
9202-67	Head - 2" in x 2" out (acme)
9193-67	Head - 2 1/2" in x 2" out (clamp)
9203-67	Head - 2 1/2" in x 2" out (acme)
9194-67	Head - 3" in x 2" out (clamp)
9204-67	Head - 3" in x 2" out (acme)
9246-67	Back plate - (internal seal)
9249-67	Back plate - (external seal with ceramic)
3185-B0	Head "O" ring gasket buna (standard)
3185-V0	Head "O" ring gasket viton
3185-E0	Head "O" ring gasket EPDM
3185-S0	Head "O" ring gasket silicone
9375-67	Drive shaft - 1 1/8" bore (internal)
9536-67	Drive shaft - 1 1/8" bore (external ceramic)
9376-67	Drive shaft - 1 3/8" bore (internal)
9537-67	Drive shaft - 1 3/8" bore (external ceramic)
9377-67	Drive shaft - 1 5/8" bore (internal)
9378-67	Drive shaft - 1 7/8" bore (internal)
9455-67	Impeller - 7 7/8" diameter
9456-67	Impeller - 7 5/8" diameter
9457-67	Impeller - 7 3/8" diameter
9458-67	Impeller - 7 1/8" diameter
9459-67	Impeller - 6 7/8" diameter
9460-67	Impeller - 6 5/8" diameter
9461-67	Impeller - 6 3/8" diameter
9462-67	Impeller - 6 1/8" diameter
9346-60	Impeller clip
9340-40	Set screw
9336-T0	Rotary seal (teflon)
9347-40	Carbon seal assembly, T-21 x 1 1/4" (buna)
9347-V0	Carbon seal assembly, T-21 x 1 1/4" (viton)
9330-B0	Carbon seal bellows (buna)
9330-V0	Carbon seal bellows (viton)
9348-K0	Carbon ring for T-21 x 1 1/4"
9501-BC	Ceramic wear ring (buna cushion)
9501-VC	Ceramic wear ring (viton cushion)
3137-B0	Rotary seal "O" ring buna (standard)
3137-V0	Rotary seal "O" ring (viton)
3137-E0	Rotary seal "O" ring (EPDM)
3137-S0	Rotary seal "O" ring (silicone)
9306-68	Rotary seal spring
9313-48	Head clamp 9"



See us at
www.zmtech.com

CENTRIFUGAL PUMPS



MODEL NO. 8

PART NO.	DESCRIPTION
9329-40	Clamp T-handle
9328-40	Clamp T-bolt
9276-04	Adapter (182 thru 256 frame)
9277-04	Adapter (284 & 286 frame)
9275-04	Adapter 324TSC frame
9351-40	Adapter mounting bolt 1/2"-13 UNC
9352-40	Adapter mounting bolt 5/8"-11 UNC

MODEL #8 PUMP KITS	
PART NO.	DESCRIPTION
9358-B0	#8 Seal kit (old style, before 1/85)
9358-V0	#8 Seal kit (old style, before 1/85)
9359-B0	#8 Seal kit for heavy duty pumps
9359-V0	#8 Seal kit for heavy duty pumps
9499-B0	#8 External seal kit
9499-V0	#8 External seal kit

#8 SEAL KIT (old style, before 1/85) INCLUDES		
PART NO.	DESCRIPTION	QUANTITY
9335-T0	Teflon seal	1
3139-B0/V0/E0/S0	"O" rings	3
9305-68	Spring	1
3185-B0/V0/E0/S0	Head "O" ring	1
9345-60	Impeller clip	2

#8 SEAL KIT FOR HEAVY DUTY PUMPS INCLUDES		
PART NO.	DESCRIPTION	QUANTITY
9336-T0	Teflon seal	1
3137-B0/V0	"O" rings	3
9306-68	Spring	1
3185-B0/V0	Head "O" ring	1
9346-60	Impeller clip	2

#8 EXTERNAL SEAL KIT INCLUDES		
PART NO.	DESCRIPTION	QUANTITY
3185-B0/V0/E0/S0	Head "O" ring	1
9347-40	Carbon seal assembly, T-21-1 1/4"	1
9346-60	Impeller clip	2



See us at
www.zmtech.com